

# SABRE AIRCRAFT TOOLS

## Hand Operated Wing Nut Fasteners

### CWN Series

Hand operated fasteners for structures requiring limited fastening or limited access. Clamping forces are operator controlled and can range from 50 pounds to 300 pounds



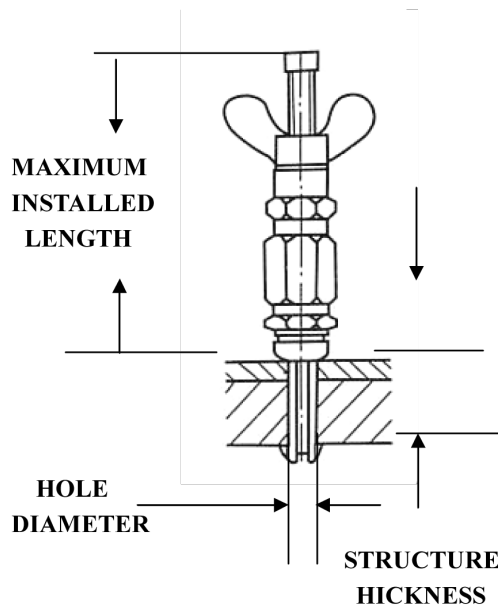
< FRACTIONAL >

### FEATURES

- Easy to operate
- Re-usable
- Controlled clamping forces
- Color-coded by size for easy identification
- Wide range of diameters and grip lengths

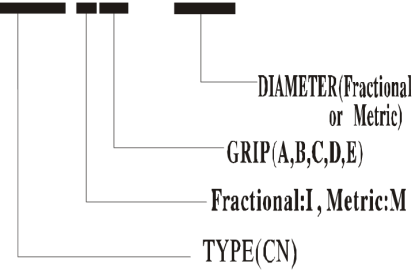


< METRIC >



### PART NUMBER EXAMPLE

**CWNIB - 1/8**



# SABRE AIRCRAFT TOOLS

## Hand Operated Wing Nut Fasteners

FRAC T I O N A L   S I Z E S - C W N   S E R I E S				
PART NO.	HOLE DIA (inches)	GRIP RANGE (inches)	COLOR CODE	DRILL SIZE
CWNIB-3/32	3/32	0~1/2"	ZINC	#40
CWNIC-3/32		0~1"		
CWNID-3/32		1/2~1-1/2"		
CWNIE-3/32		1-1/2 ~ 2-1/2"		
CWNIB-1/8	1/8	0~1/2"	COPPER	#30
CWNIC-1/8		0~1"		
CWNID-1/8		1/2~1-1/2"		
CWNIE-1/8		1-1/2 ~ 2-1/2"		
CWNIB-5/32	5/32	0~1/2"	BLACK	#20
CWNIC-5/32		0~1"		
CWNID-5/32		1/2~1-1/2"		
CWNIE-5/32		1-1/2 ~ 2-1/2"		
CWNIB-3/16	3/16	0~1/2"	BRASS	#10
CWNIC-3/16		0~1"		
CWNID-3/16		1/2~1-1/2"		
CWNIE-3/16		1-1/2 ~ 2-1/2"		
CWNIB-#27	#27	0~1/2"	GREEN	#27
CWNIC-#27		0~1"		
CWNID-#27		1/2~1-1/2"		
CWNIE-#27		1-1/2 ~ 2-1/2"		
CWNIB-#16	#16	0~1/2"	YELLOW	#16
CWNIC-#16		0~1"		
CWNID-#16		1/2~1-1/2"		
CWNIE-#16		1-1/2 ~ 2-1/2"		
CWNIB-7/32	7/32	0~1/2"	ZINC	#2
CWNIC-7/32		0~1"		
CWNID-7/32		1/2~1-1/2"		
CWNIE-7/32		1-1/2 ~ 2-1/2"		
CWNIB-1/4	1/4	0~1/2"	COPPER	1/4"
CWNIC-1/4		0~1"		
CWNID-1/4		1/2~1-1/2"		
CWNIE-1/4		1-1/2 ~ 2-1/2"		
CWNIB-9/32	9/32	0~1/2"	BRASS	9/32"
CWNIC-9/32		0~1"		
CWNID-9/32		1/2~1-1/2"		
CWNIE-9/32		1-1/2 ~ 2-1/2"		
CWNIB-5/16	5/16	0~1/2"	BLACK	5/16"
CWNIC-5/16		0~1"		
CWNID-5/16		1/2~1-1/2"		
CWNIE-5/16		1-1/2 ~ 2-1/2"		
CWNIB-3/8	3/8	0~1/2"	BLACK	3/8"
CWNIC-3/8		0~1"		
CWNID-3/8		1/2~1-1/2"		
CWNIE-3/8		1-1/2 ~ 2-1/2"		



www.sabretools.com  
info@sabretools.com